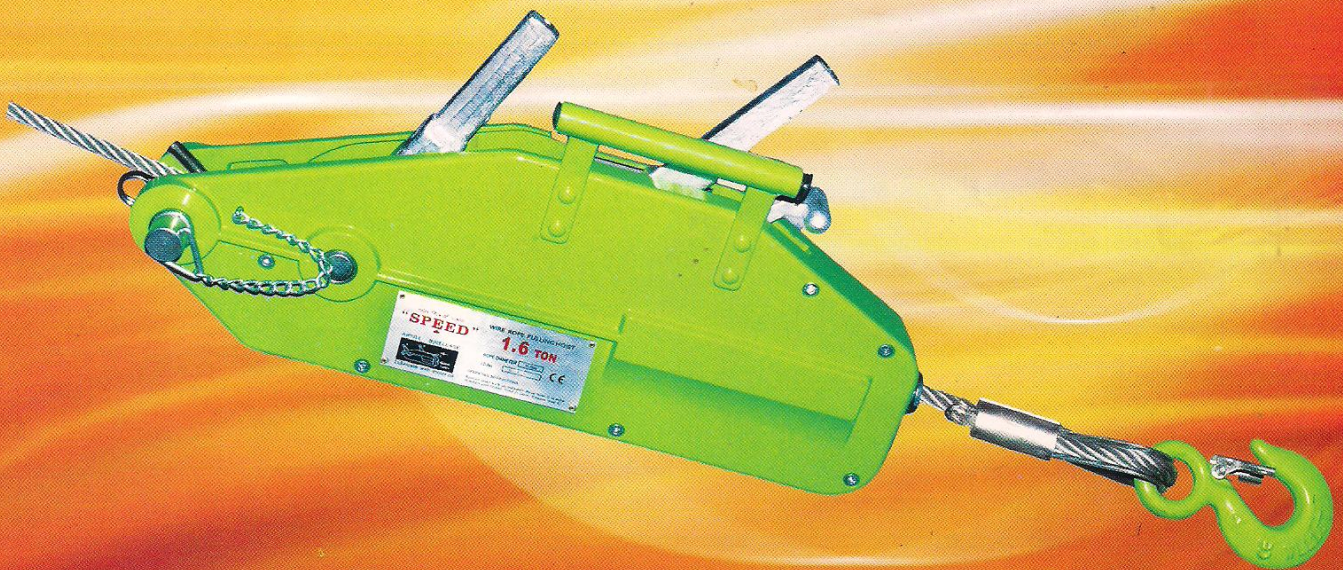


# **SPEED**<sup>®</sup>

**PULLING AND LIFTING MACHINE**

**T-SERIES**

- Compact Body, Light Weight with High Factor of safety.
- Portable Unlimited Rope Travel, Rugged and Modular Designed Construction, with Low Maintenance.



Established : 1964

Manufactured by:

**D. N. SURESH TOOLS CORPN.**

MUMBAI - 400 003.

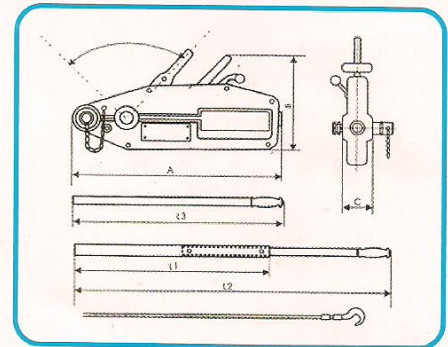
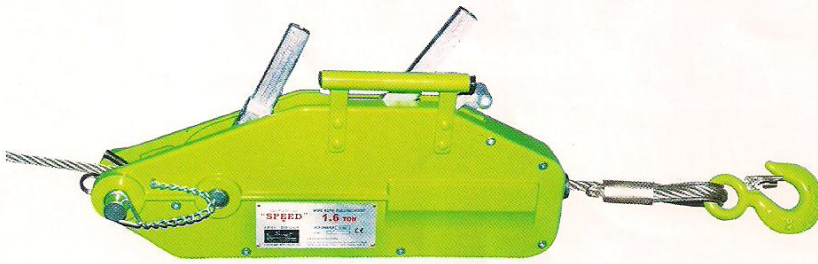
email : [rnstools@hotmail.com](mailto:rnstools@hotmail.com)

web site : [www.speedrns.com](http://www.speedrns.com)

**WARRANTY**  
We Provide one year's  
Warranty against any  
manufacturing defects.  
Ex. Our works

Safe ✦ Reliable ✦ Durable

# **SPEED**® PULLING AND LIFTING MACHINE T-SERIES



## Special Features :

- Compact Body , light weight with high factor of safety
- Portable unlimited Rope Travel , Rugged and Moduler designed construction, with low maintenance.
- Operated by one man. Under full control of operator, hence Lifting and Lowering can be controlled to a fraction of a centi metre. With unlimited vertical, horizontal and oblique uses.
- Pulling , Lifting and Lowering with no special skill.
- Can be used as a Winch with multipurpose mounting positions, with the help of a sheave Pulley Block to increase lifting & Pulling Power.
- Can be used in the follwing industries: Civil Defence, Rescue, Army, Mining, Transport, Forestry, Agriculture, Sugar Mills, Power Plants, Air Conditioning Plants, Ship Building, Ship Breaking, Nuclear Power Plants, Electricity Boards, Telephone, Gas/Water Pipe Line, Civil & Steel Construction, Naval and Defence Industries, Elevators, Facade Work (Cradles Erection) and at confined places.
- Every Machine is checked thoroughly by a competent person, before Despatch. 50% over load Test Cretificate and 12 months Guarantee Certificate is issued with each] machine.

## Constructional Out Standing Features :

- **Body:** Completely made of Cold Drawn deep quality steel sheets and light in weight.
- **Hooks:** For Models - T-800;T-1600; T-3200; & T-5400; Are of Drop forged Steel, fitted with safety Latches so to avoid accidental release.
- **Jaw Grip:** Specially made from Alloy, Steel, precision machined and Heat treated so as to prevent slipping of Wire Rope.
- **Jaw Link:** Made of Alloy Steel and Heat Treated.
- **Wire Rope:** Bright Galvanised, high Tensile, Steel Wire Rope, specially manufactured, with a steel Core.
- Spare Parts easily available.

## SPECIFICATIONS

Model	800KG	1600KG	3200KG	5400KG
Pulling Capacity	1200KG	2400KG	4000KG	8000KG
Lifting Capacity	800KG	1600KG	3200KG	5400KG
Effect at Full Load	35KG	43.2KG	44.7KG	76KG
Rope Travel Per. Return Stroke (Approx)	52MM	55MM	28MM	30MM
Standard Length of Wire Rope	20MTR	20MTR	20MTR	20MTR
Dia of Wire Rope	8.3MM	11MM	16MM	20MM
Net Weight of Machine	6.4KG	12KG	23KG	65KG
<b>DIAMENSIONS</b>				
(A)426	545	660	932	
(B)238	284	325	420	
(C)64	97	116	155	
(L1)		800MM	800MM	880MM
(L2)		1200MM	1200MM	1350MM
(L3)	800MM			