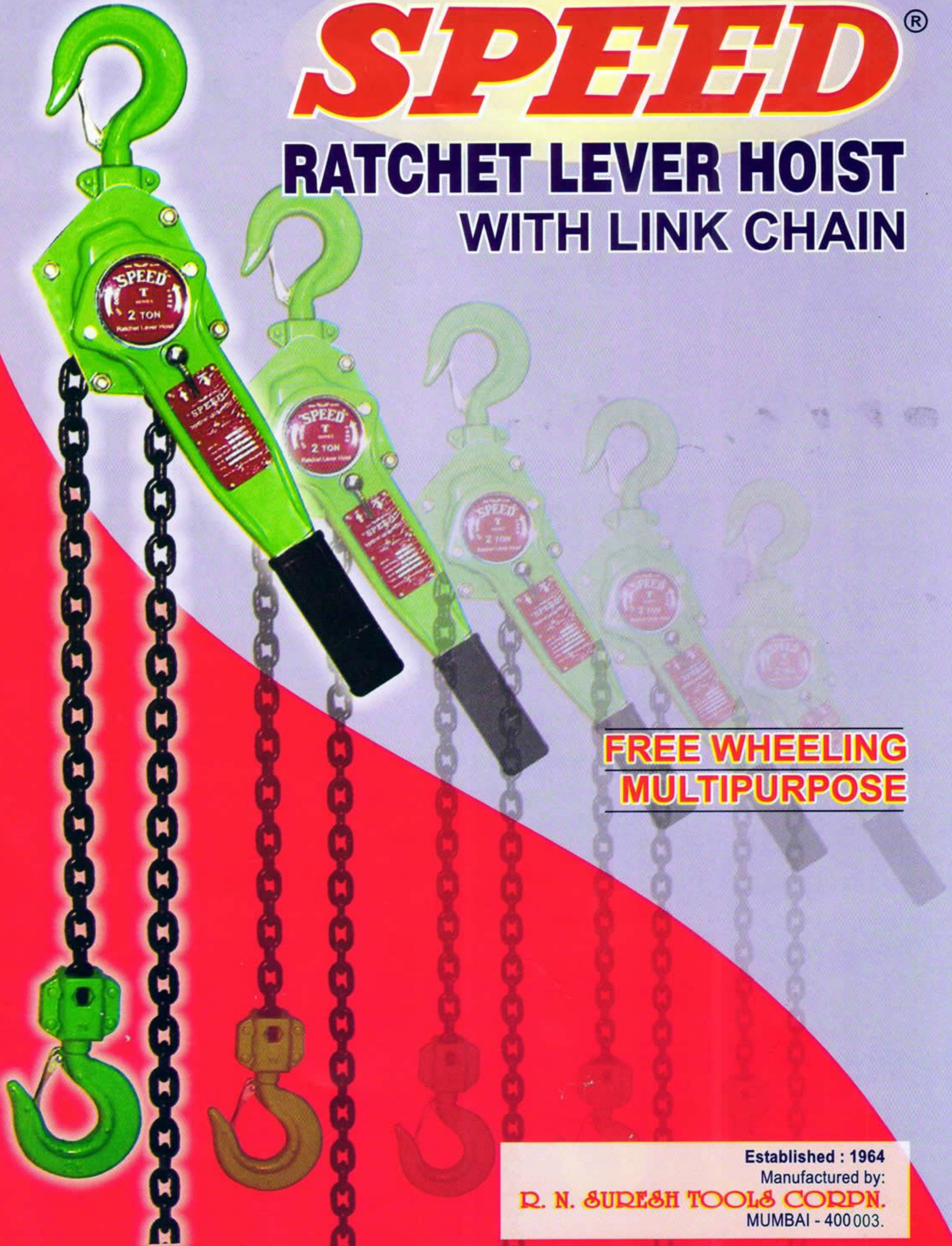


# **SPEED**®

## **RATCHET LEVER HOIST WITH LINK CHAIN**



**FREE WHEELING  
MULTIPURPOSE**

Established : 1964

Manufactured by:

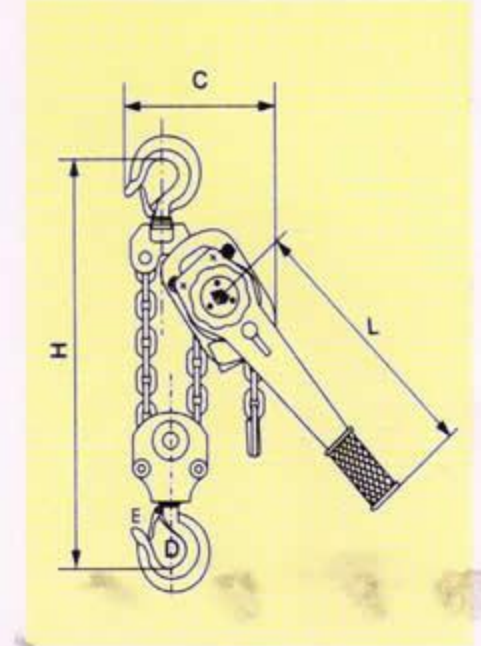
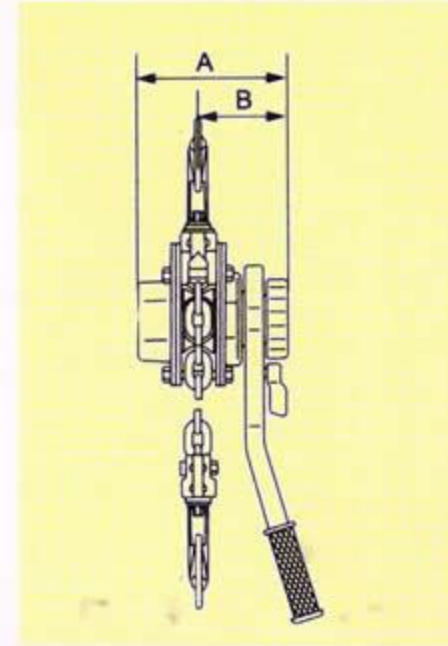
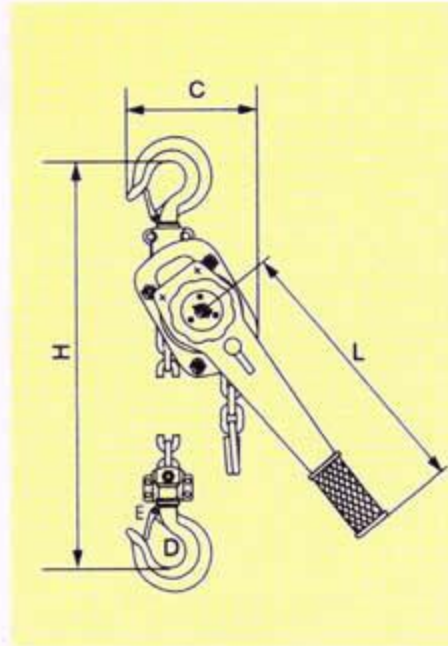
**D. N. SURESH TOOLS CORPN.**

MUMBAI - 400 003.

# SPEED®

## RATCHET LEVER HOIST WITH LINK CHAIN

**"SPEED"** RATCHET LEVER HOIST IS A UNIVERSAL HOIST FOR LIFTING, TENSIONING AND LASHING, IN ALL DIRECTIONS HIGH QUALITY MATERIALS. ENSURE. LIGHT WEIGHT. WITH COMPLETE RELIABILITY.



**0.5 T, 1T, 1.5T, 2 T, 3T, 6T.**

- **HOOKS :** TOP AND BOTTOM HOOKS ARE DROP FORGED STEEL, HEAT TREATED, FRACTURE RESISTANT, SWIVEL IN ALL DIRECTIONS, ARE FITTED WITH SAFETY LATCHES.
- **LEVER :** SHORT LEVER, WITH RUBBER GRIP, REQUIRES VERY LITTLE EFFORT, AT FULL LOAD, DUE TO OPTIMAL GEAR RATIO.
- **CHAIN :** HOIST IS FITTED WITH HIGH GRADE, ALLOY STEEL-GRADE 80-LOAD CHAIN.

### USEFUL FOR FOLLOWING PURPOSES

- 1) For Loading and Unloading
- 2) To Lay drainage Pipes.
- 3) For Pulling down trees.
- 4) Useful for erection works.
- 5) Ship building
- 6) Mining.

REMARK : Hoists with lifts in other lengths are also available

### SPECIFICATIONS

		0.5	1	1.5	2	3	6
Capacity (Tons)		0.5	1	1.5	2	3	6
Standard Lift M.		1.5	1.5	1.5	1.5	1.5	1.5
Proof Load (Tons)		0.750	1.500	2.250	3.000	4.500	9.000
Headroom (Drawn Close up) min. (mm)		300	365	400	445	520	640
Effort required to lift max. load (Kgs.)		25	27	30	32	34	37
No. of Falls of load Chain		1	1	1	1	1	2
Load Chain size (mm)		5	6	7	8	10	10
Net weight (Kgs.)		6	8	11	15	21	28
Dimensions (mm)	A	143	153	173	181	200	200
	B	86	90	99	105	112	112
	C	118	140	145	152	199	230
	D	31.5	37.5	42.5	45	50	53
	E	24	29	33.5	36	40	42.5
	H	300	325	385	385	480	620
	L	255	280	380	380	390	390